

UV SOURCE REPLACEMENT

1 2 3 4 5 6 7 8 9 10 11 12 13 14 15 16

95W 2G11 DEVICE CONNECTION p. 2



Lesnícka 2/A
Prešov 08005
Slovakia

www.led-solar.sk
www.airsterilization.eu



676.000 - 2010.001 - EN

TRANSLATION OF THE ORIGINAL INSTRUCTIONS FOR USE



STERILLIGHT Industry EN INSTRUCTIONS FOR INSTALLATION AND USE

WARNING! READ THE INSTRUCTIONS!



**WARNING: THIS APPLIANCE CONTAINS A UV EMITTER.
DO NOT STARE AT THE LIGHT SOURCE!**

THIS APPLIANCE CAN BE USED BY CHILDREN AGED FROM 8 YEARS AND ABOVE AND PERSONS WITH REDUCED PHYSICAL, SENSORY OR MENTAL CAPABILITIES OR LACK OF EXPERIENCE AND KNOWLEDGE IF THEY HAVE BEEN GIVEN SUPERVISION OR INSTRUCTION CONCERNING USE OF APPLIANCE IN A SAFE WAY AND UNDERSTAND THE HAZARDS INVOLVED. CHILDREN SHALL NOT PLAY WITH THE APPLIANCE. CLEANING AND USER MAINTENANCE SHALL NOT BE MADE BY CHILDREN WITHOUT SUPERVISION.

BEFORE HANDLING THE DEVICE UNPLUG THE POWER SUPPLY!

RISK OF IMPROPER HANDLING OF DEVICE:
- ULTRAVIOLET RADIATION HAZARD!
- RISK OF ELECTRIC SHOCK!
- MERCURY VAPOR INHALATION HAZARD!



PROTECT YOUR PROTECTIVE EQUIPMENT AND PROTECTIVE CLOTHING AGAINST THE RISK OF UV EXPOSURE!



INSTALLATION AND MAINTENANCE OF THE EQUIPMENT MAY BE PERFORMED BY ONLY A TRAINED PERSON!
IN CASE OF DEVICE FAILURE, CONTACT THE DEALER OR MANUFACTURER.



SEEK MEDICAL ATTENTION IMMEDIATELY AFTER ELECTRIC SHOCK, UV-C RADIATION AND INHALATION OF MERCURY VAPORS!



IF THE SUPPLY CORD IS DAMAGED, IT MUST BE REPLACED BY THE MANUFACTURER, ITS SERVICE AGENT OR SIMILARLY QUALIFIED PERSONS IN ORDER TO AVOID A HAZARD.



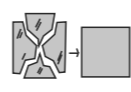
REPLACING THE UV RADIATION SOURCE AFTER 8000 OPERATING HOURS. DISCONNECT THE APPLIANCE FROM THE POWER SUPPLY BEFORE OPENING THE COVER.



MAINTENANCE OF THE APPLIANCE CONSISTS OF REPLACING THE UV-C SOURCE AND PERIODIC CLEANING OF THE INTERIOR OF THE QIUPMENT WITH A DRY CLEANSING WIPE, OR DUST EXTRACTION.



REPLACE CRACKED COVER. THE DEVICE WITH A BROKEN OR MISSING GLASS COVER MUST NOT BE USED. ALWAYS USE ORIGINAL PARTS APPROVED BY THE MANUFACTURER FOR REPAIR.

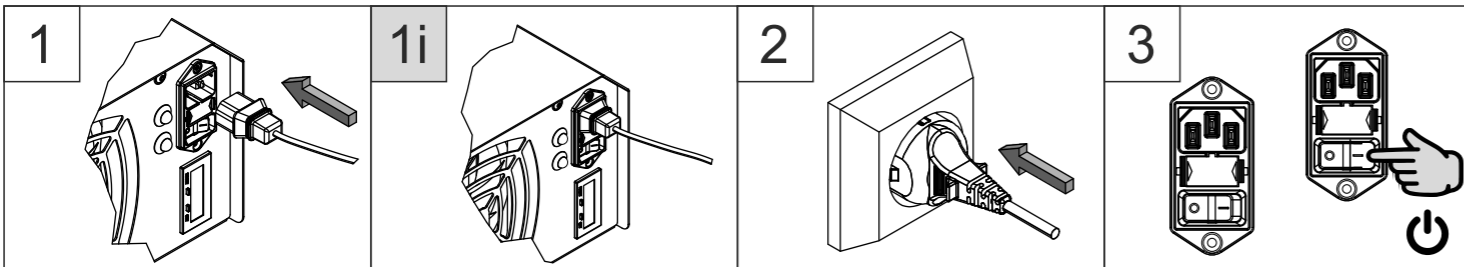


DEVICES AND UV-C SOURCES AT THE END OF THEIR SERVICE LIFE ARE SUBJECT TO THE RULES OF SEPARATE COLLECTION. DO NOT DISPOSE THEM INTO MUNICIPAL WASTE. FOLLOW THE LEGISLATION IN FORCE.

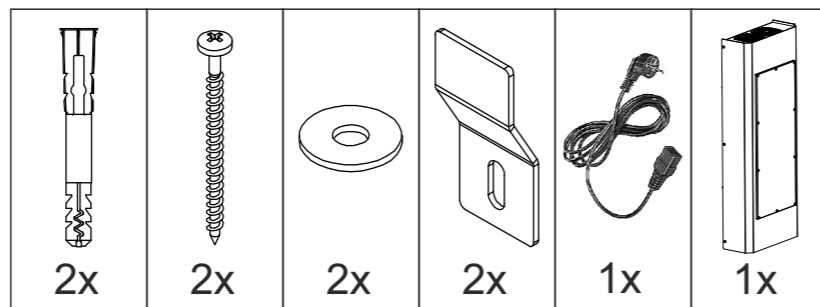
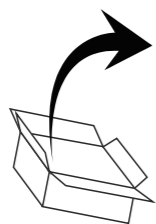


KEEP THESE INSTRUCTIONS FOR FUTURE REFERENCE.

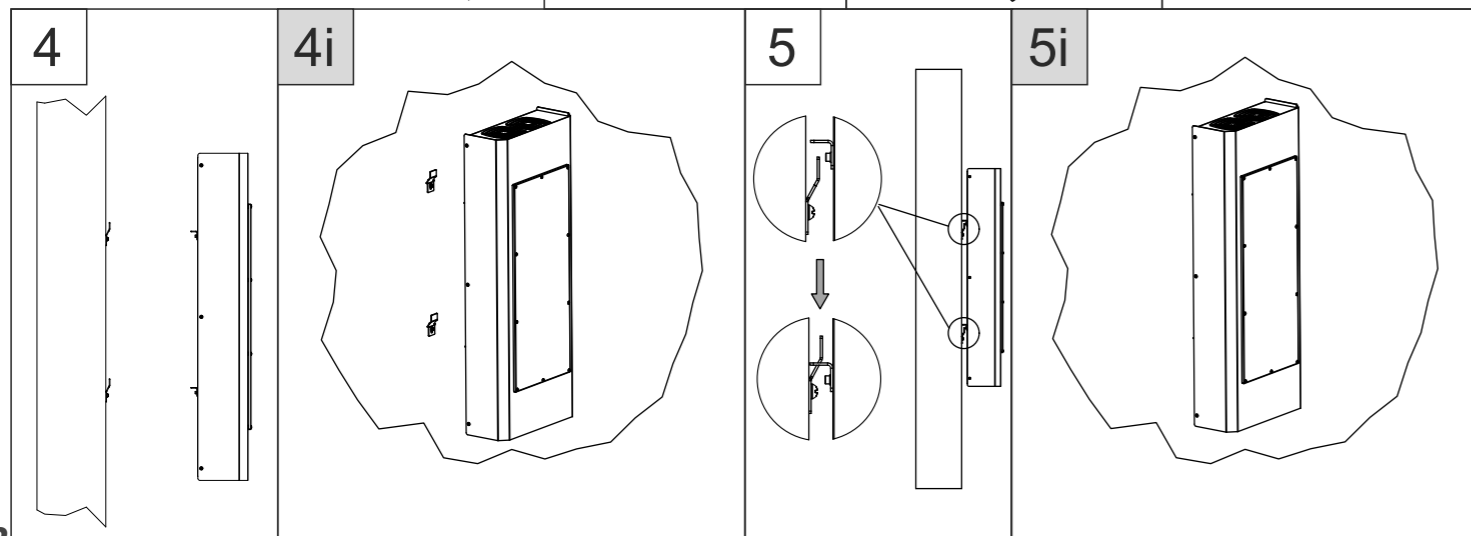
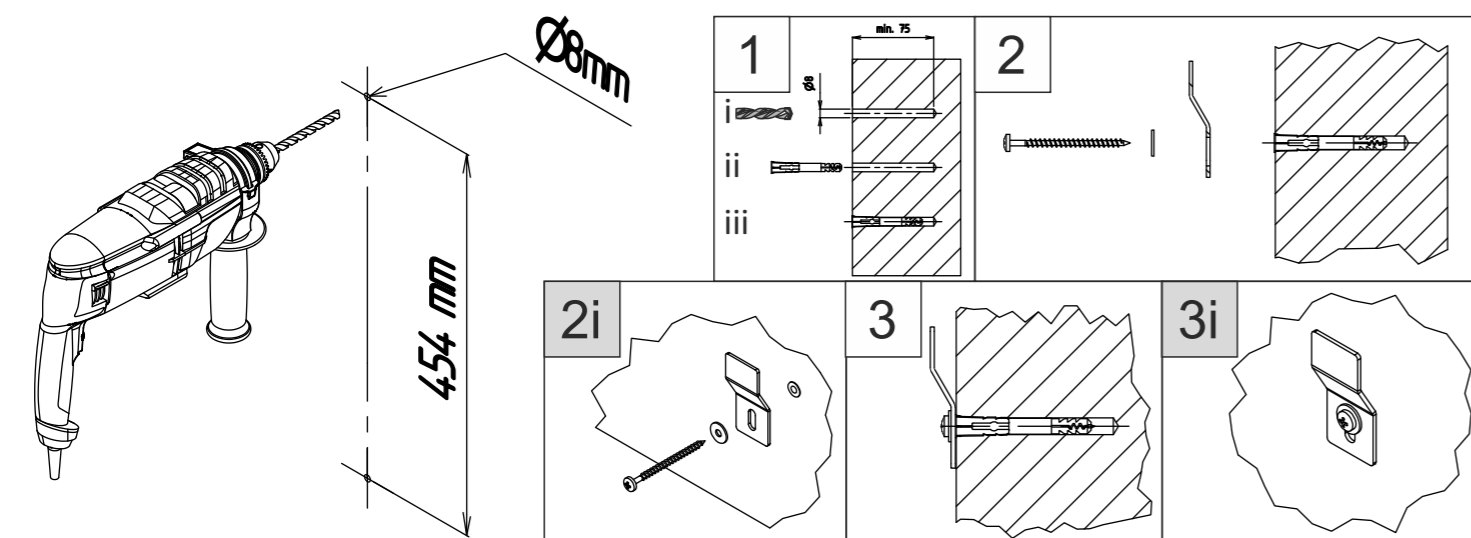
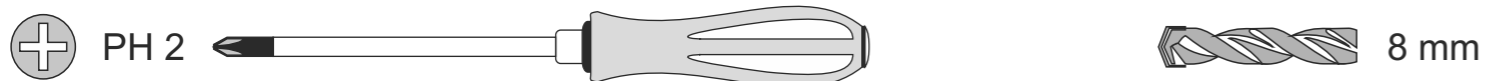
DEVICE CONNECTION



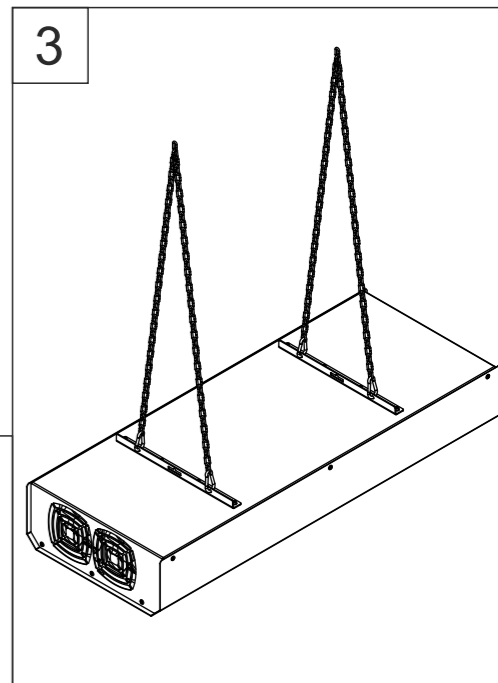
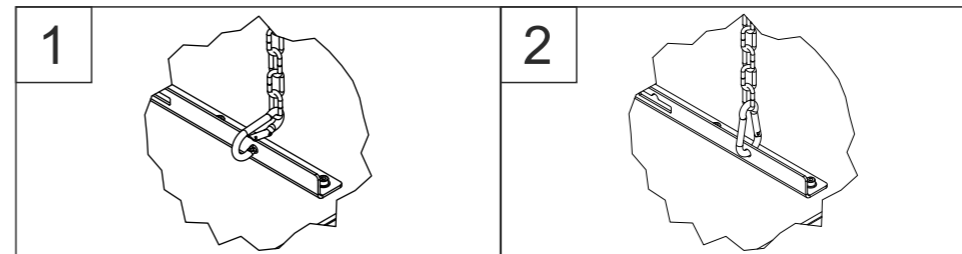
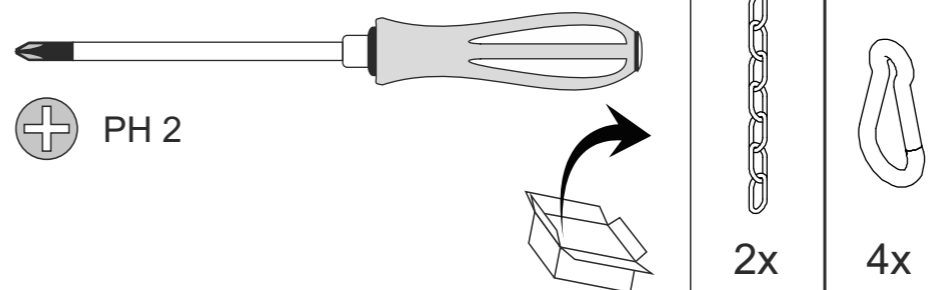
CONTENTS OF THE BASIC PACKAGE



WALL MOUNTING



CHAIN SUSPENSION

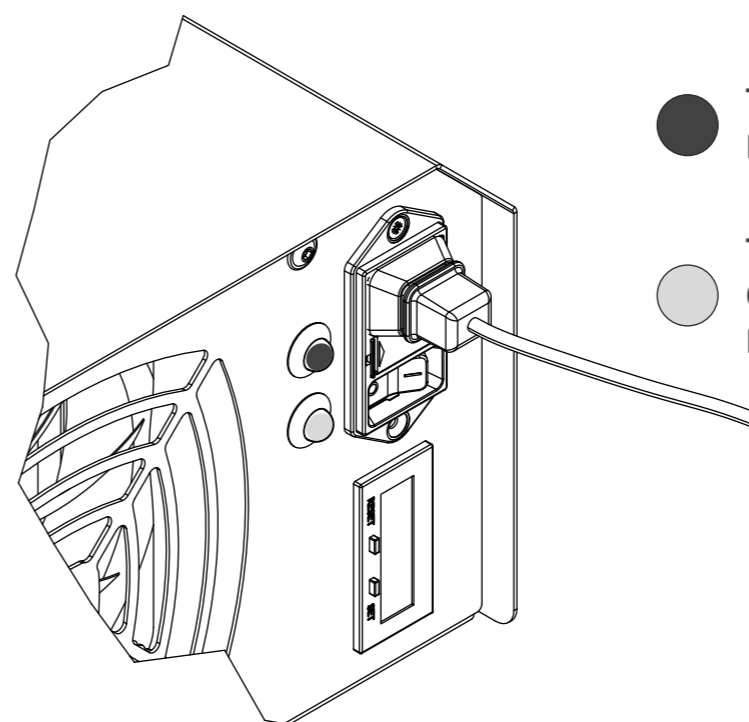


TIMER



THE TIMER IS USED TO DISPLAY THE NUMBER OF OPERATING HOURS.

LED INDICATORS



● THE RED LED INDICATES A DEVICE FAULT THAT REQUIRES SERVICE.

● THE YELLOW LED SIGNALS THE END OF THE TUBE LIFE AND LIGHTS UP AFTER 9000 HOURS OF OPERATION.

TRANSLATION OF THE ORIGINAL INSTRUCTIONS FOR USE